

7.4 Gates

7.4.1 Self-closing gate

A self-closing gate shall be used for passage of persons and shall meet the requirements of the adjacent guard-rails.

Divergent to [7.1.6](#), a toe-plate is not required. Shear and crushing points shall be avoided. The dimensions shall be in accordance with [Figure 6](#).

Gates shall be

a) self-closing,

NOTE Self-closing can be achieved, for example, by spring or gravity force.

b) held in closed position but not locked,

c) designed to open easily onto the platform or floor, and

d) close against a firm stop to prevent users pushing against them and falling through the opening.

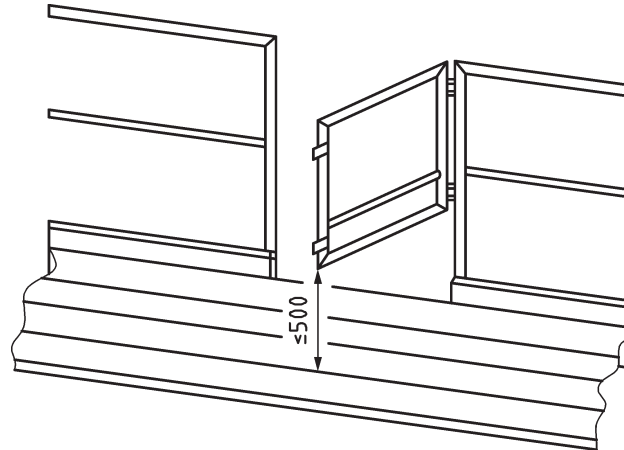


Figure 10 — Example of self-closing gate (open onto the platform)